

INSTALLATION GUIDE

INTEGRATED INFOTAINMENT TOUCH SCREEN SOLUTION FOR
FORD RANGER 2016+

PART NUMBER: UN1810E-FD1



ABOUT THIS PRODUCT

Upgrade your Ford Ranger's radio with the HEIGH10® 10-inch infotainment system. Retain all OEM features, vehicle settings, and more. All in one easy to install, plug-and-play package.

The HEIGH10® is designed to enhance screen size and infotainment features for drivers which include Apple CarPlay, Android Auto, DAB+, and Bluetooth streaming. Paired with the vehicle retention interface, key vehicle settings will be retained and controlled through the HEIGH10® display by your steering wheel controls.

The components of this kit are compatible for the Ford Ranger 2016+, with non-amplified factory head units.



CONTENTS

- HEIGH10® unit with fitting accessories and wiring
- Black double DIN fascia plate (with accessories)
- Vehicle retention interface with plug-and-play harness
- Vehicle specific antenna adapter (AM/FM/DAB)
- Stinger stereo patch lead
- Instruction manual

FITTING GUIDE

STEREO REMOVAL



Step 1 -

Using a trim tool, carefully remove the trim shown within the image. The passenger side airvents are attached to this. The panel itself is held in with a series of clips.



Step 2 -

Similarly to the passenger side, remove the driver side airvent using a trim tool. Once removed you can remove the lower trim which runs across the dash and houses the stop start button. The button can be popped out and re connected whilst stowing the trim away whilst the installation is carried out.



Step 3 -

Once the necessary trims have been removed, there will be a series of 7mm bolts along the side of the fascia with 2 bolts hidden towards the bottom underneath the storage tray. The storage tray can be illustrated by step 4.

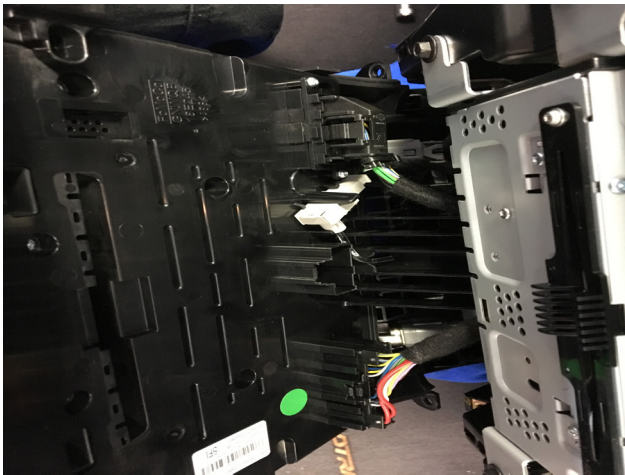
FITTING GUIDE

STEREO REMOVAL



Step 4 -

The storage panel can be removed by pulling the trim towards you. This will reveal the final 2x 7mm bolts securing the radio's front panel to the dash.

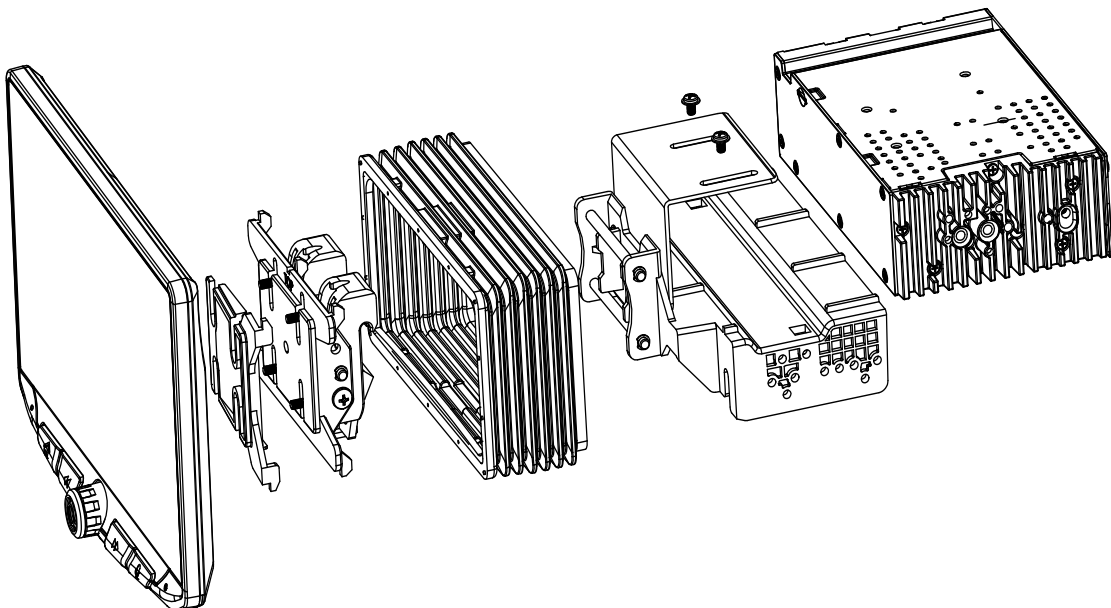


Step 5 -

Disconnect all of the connections on the front panel and then proceed to remove the radio unit itself, removing the bolts it and then pulling it forward.

Take the HEIGH10® components and begin to assemble the core components in accordance with the "*Installation Manual*" that comes with unit.

HEIGH10 ASSEMBLY



FITTING GUIDE

FASCIA PLATE SET-UP

1. With the HEIGH10® unit configured correctly, attach the fascia brackets to the relevant sides of the radio module using the screws within the kit. Place into the vehicle and roughly test fit with the fascia to measure whether the brackets need moving forwards/backwards.
2. With the brackets aligned correctly, attach the fascia to the brackets over the top of the unit using the screws that come within in the kit.
3. Once all of the steps in '**Stereo Installation**' are complete, place the assembly into the dashboard and screw down using the pre-existing screws. Then reassemble the main fascia panel.

INTERFACE SET-UP

1. Take the interface and set the dipswitches accordingly (*note that these are default to off*):

	ON (DOWN)	OFF (UP)
DIPSWITCH 1	Pioneer head units	All other head units (Default)
DIPSWITCH 2	Reverse Camera PAL	Reverse Camera NTSC (Default)
DIPSWITCH 3	Reset factory settings (switch)	Reset factory settings (Default)
DIPSWITCH 4	Not Used	Not Used

2. Take the 14-way connector on the vehicle interface harness and plug this into the relevant connection on the side of the interface.
3. Take the 12-way connector of the stereo patch lead and plug this into the relevant connection on the side of the interface. Then take the 3.5mm jack and attach this to the HEIGH10® unit.
4. Attach the 4-way camera extension harness to the interface.
5. Attach the antenna adapter to the vehicles pre-existing connection and the back of new HEIGH10® unit.
6. Attach the USB retention lead in between the vehicle pre-existing USB connector and the HEIGH10® unit.
7. Connect the male yellow RCA to the 'reverse camera input' on the back of the new stereo.
8. Connect the aftermarket reverse camera (if required) to the female yellow RCA on the camera extension harness.

Note: ensure the 'Camera Connected' option in the 'Preferences' menu is set to 'Yes' for the camera to function correctly.

9. Attach the additional wiring on the harness to the back of the stereo:
Pink - Speed Pulse **Green** - Park Brake **Purple** - Reverse
10. When all the above wires (and any additional accessories) have been connected, finally make the power connections between the stereo and the vehicles pre-existing connector.

For a full connection breakdown of the HEIGH10® unit, see the "**Installation Manual**" that comes with the unit.

TECHNICAL ASSISTANCE

For further help or assistance, please contact and fill out a support ticket with full details of your issue via : uktechnical@aampglobal.com

For general enquires, contact us at:

Phone: **01384 958 500**

E-Mail: stinger.eu@aampglobal.com

Mon - Fri 9am - 5.30pm GMT

If you would like to download a digital copy of this manual, or any other product, then please visit the www.Stinger-Electronics-EU.com website.

This manual is considered correct at the time of printing but is subject to change. For the latest manuals & updates, refer to our website.

Copyright 2023 by Stinger.

AGREEMENT: End user agrees to use this product in compliance with the instructions and terms of use and with all laws. STINGER provides instructions and safety warnings with respect to this product and disclaims all liability for any use not in conjunction with those instructions or other misuse of its product. If you do not agree, please discontinue use and contact STINGER. This product is intended for off-road use and passenger use only.