

## INSTALLATION GUIDE

INTEGRATED INFOTAINMENT TOUCH SCREEN SOLUTION FOR  
FORD TRANSIT 2012 - 2021 (V362)

PART NUMBER: UN1810E-FD2



## ABOUT THIS PRODUCT

---

Upgrade your Ford Transit's radio with the HEIGH10® 10-inch infotainment system. Retain all OEM features, vehicle settings, and more. All in one easy to install, plug-and-play package.

The HEIGH10® is designed to enhance screen size and infotainment features for drivers which include Apple CarPlay, Android Auto, DAB+, and Bluetooth streaming. Paired with the vehicle retention interface, key vehicle settings will be retained and controlled through the HEIGH10® display by your steering wheel controls.

The components of this kit are compatible for the Ford Transit 2012 - 2021 (V362)

**Please note: Not compatible for amplified models.**



## CONTENTS

---

- HEIGH10® unit with fitting accessories and wiring
- Black double DIN fascia plate (with accessories)
- Vehicle retention interface with plug-and-play harness
- Vehicle specific antenna adapter (AM/FM/DAB)
- Stinger stereo patch lead
- Instruction manual

## FITTING GUIDE

---

### STEREO REMOVAL

First, turn off the vehicle and remove the key from the ignition.

Locate the plastic trim panel that surrounds the radio and climate control unit. It is located on the center console, directly below the radio.

Use a panel removal tool or a flathead screwdriver to carefully pry off the trim panel. Start at the bottom and work your way up, being careful not to damage the panel or any surrounding components.

Once the trim panel is removed, you should see four screws that secure the radio to the dash. Use a Phillips-head screwdriver to remove these screws.

Gently pull the radio out of the dash, being careful not to damage any of the wiring or connections.

Disconnect the wiring harnesses and antenna cable from the back of the radio. To disconnect the wiring harnesses, press down on the locking tabs and pull the connectors apart. To disconnect the antenna cable, simply pull it straight out of the back of the radio.

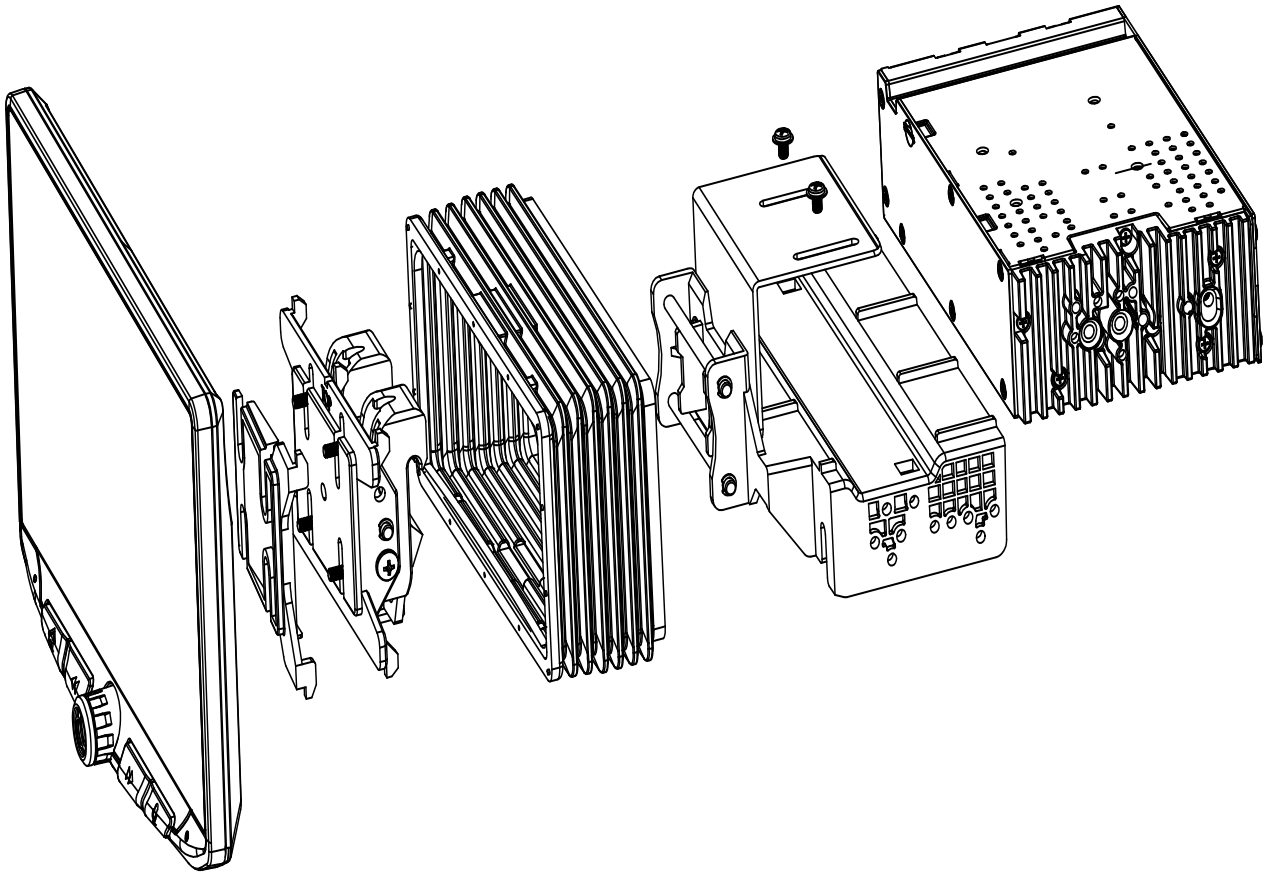
The radio should now be completely disconnected from the vehicle.

## FITTING GUIDE

---

Take the HEIGH10® components and begin to assemble the core components in accordance with the “*Installation Manual*” that comes with unit.

### HEIGH10 ASSEMBLY



## FITTING GUIDE

---

### FASCIA PLATE SET-UP

1. With the HEIGH10® unit configured correctly, attach the fascia brackets to the relevant sides of the radio module using the screws within the kit. Place into the vehicle and roughly test fit with the fascia to measure whether the brackets need moving forwards/backwards.
2. With the brackets aligned correctly, attach the fascia to the brackets over the top of the unit using the screws that come within in the kit.
3. Once all of the steps in '**Stereo Installation**' are complete, place the assembly into the dashboard and screw down using the pre-existing screws. Then reassemble the main fascia panel.

### INTERFACE SET-UP

1. Take the 14-way connector on the vehicle interface harness and plug this into the relevant connection on the side of the interface.
2. Take the 12-way connector of the stereo patch lead and plug this into the relevant connection on the side of the interface. Then take the 3.5mm jack and attach this to the HEIGH10® unit.
3. Attach the 4-way camera extension harness to the interface.
4. Attach the antenna adapter to the vehicles pre-existing connection and the back of new HEIGH10® unit.
5. Attach the USB retention lead in between the vehicle pre-existing USB connector and the HEIGH10® unit.
6. Connect the male yellow RCA to the 'reverse camera input' on the back of the new stereo.
7. Connect the aftermarket reverse camera (if required) to the female yellow RCA on the camera extension harness.

*Note: ensure the 'Camera Connected' option in the 'Preferences' menu is set to 'Yes' for the camera to function correctly.*

8. Attach the additional wiring on the harness to the back of the stereo:  
**Pink** - Speed Pulse **Green** - Park Brake **Purple** - Reverse
9. When all the above wires (and any additional accessories) have been connected, finally make the power connections between the stereo and the vehicles pre-existing connector.

For a full connection breakdown of the HEIGH10® unit, see the "**Installation Manual**" that comes with the unit.

## ABOUT THIS PRODUCT

---

### CTSFO008.2

CAN-Bus Steering Wheel Control Interface for Ford vehicles. Retains steering wheel controls, parking sensor audio and allows time/date change from the steering wheel.

### WIRING COLOUR CODES

---

Purple	Right Rear Speaker +	Yellow	Permanent 12V
Purple/Black	Right Rear Speaker -	Black	Ground
Green	Left Rear Speaker +	Red	Ignition 12V
Green/Black	Left Rear Speaker -	Orange	Illumination
Grey	Right Front Speaker +	Green	Park Brake
Grey/Black	Right Front Speaker -	Pink	Speed Pulse
White	Left Front Speaker +	Purple/White	Reverse Gear
White/Black	Left Front Speaker -	Blue/White	Antenna Remote

### PRIOR TO INSTALLATION

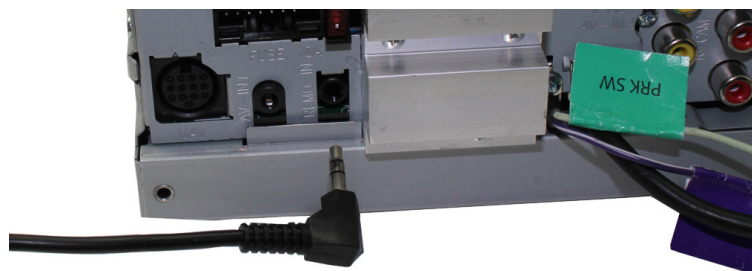
---

Read the manual prior to installation. Technical knowledge is necessary for installation. The place of installation must be free of moisture and away from heat sources. Please ensure that the correct tools are using during the installation to avoid damage to the vehicle or product. **Connects2 can not be held responsible for the installation of this product.**

1. Remove and disconnect the original head unit.
2. Connect the 12 way molex connector of the head unit patch lead (supplied separately) to the interface.
3. Connect the opposite end of head unit patch lead to the head unit steering wheel control input on the back of the aftermarket head unit.

*NB: This may be a 3.5mm jack plug or a wire input depending upon the head unit brand being fitted. Please see the head unit installation manual for further information on where to connect.*

**Important: This step must be completed before connecting power to the interface. Failure to do so may result in no steering wheel control function.**



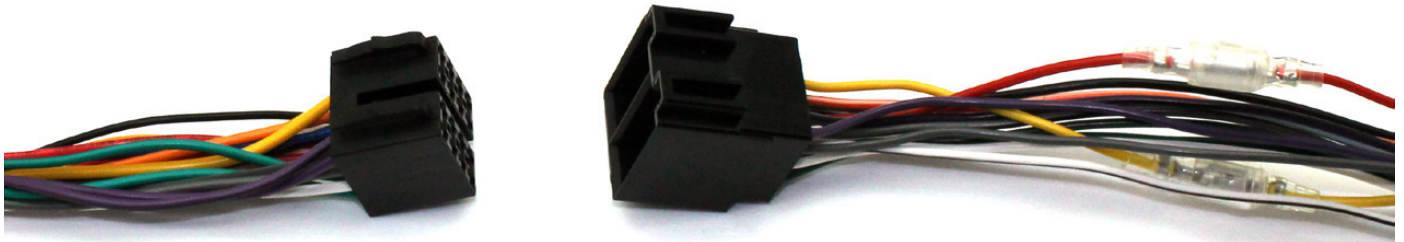
## FITTING GUIDE

---

4. Connect the 14 way molex connector to the interface



5. Connect the male power/speaker ISO harness to the female power/speaker ISO harness from the aftermarket head unit. For aftermarket head units without an ISO connector, please refer to "Wiring Colour Codes" on Pg. 2.



## FITTING GUIDE

---

6. Connect the female vehicle specific connectors on the harness to the male vehicle connector from the vehicle.

7. Connect the chime speaker box to the loom via the 4 pin connector and the red/white RCA connectors to the stereo Aux Input.

8. Remove the car display connector from the vehicle and plug into the interface (please remove the dust cover from the interface before making the connection).

9. Connect the display connector from the loom to the vehicle (the port previously occupied by the car display connector, removed in Step 8.)

Test head unit for correct operation.

## STEERING WHEEL CONTROL FUNCTIONALITY

---

<b>Original Button</b>	<b>Function</b>
Volume +	Volume +
Volume -	Volume -
Track +	Track +
Track -	Track -
Speech	Mute

## SETTING THE TIME/DATE

---

1. Press Speech to turn on the vehicle display
2. Press and hold Speech for two seconds to enable menu mode
3. Press Volume +/- to navigate to the clock setting menu option and press Speech to confirm selection
4. Adjust the time using Volume +/- and press Speech to confirm
5. Follow the same process to adjust the date
6. Once time and date have been set, press Speech to confirm

*NB: The menu option will time out after 15-20 seconds of inactivity*



## TECHNICAL ASSISTANCE

For further help or assistance, please contact and fill out a support ticket with full details of your issue via : **uktechnical@aampglobal.com**

For general enquires, contact us at:

Phone: **01384 958 500**

E-Mail: **stinger.eu@aampglobal.com**

Mon - Fri 9am - 5.30pm GMT

If you would like to download a digital copy of this manual, or any other product, then please visit the **www.Stinger-Electronics-EU.com** website.

This manual is considered correct at the time of printing but is subject to change. For the latest manuals & updates, refer to our website.

*Copyright 2023 by Stinger.*

**AGREEMENT:** End user agrees to use this product in compliance with the instructions and terms of use and with all laws. STINGER provides instructions and safety warnings with respect to this product and disclaims all liability for any use not in conjunction with those instructions or other misuse of its product. If you do not agree, please discontinue use and contact STINGER. This product is intended for off-road use and passenger use only.