

INSTALLATION GUIDE

INTEGRATED INFOTAINMENT TOUCH SCREEN SOLUTION FOR
HONDA CIVIC 2006 - 2011

PART NUMBER: UN1810E-HD1



ABOUT THIS PRODUCT

Upgrade your Honda Civic's radio with the HEIGH10® 10-inch infotainment system. Retain all OEM features, vehicle settings, and more. All in one easy to install, plug-and-play package.

The HEIGH10® is designed to enhance screen size and infotainment features for drivers which include Apple CarPlay, Android Auto, DAB+, and Bluetooth streaming. Paired with the vehicle retention interface, key vehicle settings will be retained and controlled through the HEIGH10® display by your steering wheel controls.

The components of this kit are compatible for the Honda Civic 2006 -2011

Please note: Not compatible for amplified models.



CONTENTS

- HEIGH10® unit with fitting accessories and wiring
- Black double DIN fascia plate (with accessories)
- Vehicle retention interface with plug-and-play harness
- Vehicle specific antenna adapter (AM/FM)
- Stinger stereo patch lead
- Instruction manual

FITTING GUIDE

STEREO REMOVAL

- 1 Remove original head unit. Lever out plastic cover below the display



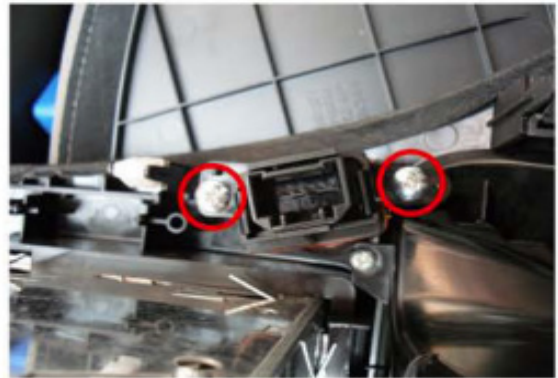
- 2 Unscrew the three screws, which hold in the OEM head unit trim.



- 3 Lever out the original head unit from the sides. Disconnect all connectors. Turn the head unit over and unclip airvents. Clip airvents into new fascia plate.



- 4 Unscrew two screws holding the hazard warning switch. Remove the switch and screw into the same position on the new fascia plate



- 5 Clip in new fascia plate. Secure the fascia plate using the three screws from the top of the original fascia trim (See step 2). Insert and secure the supplied cage.



FITTING GUIDE

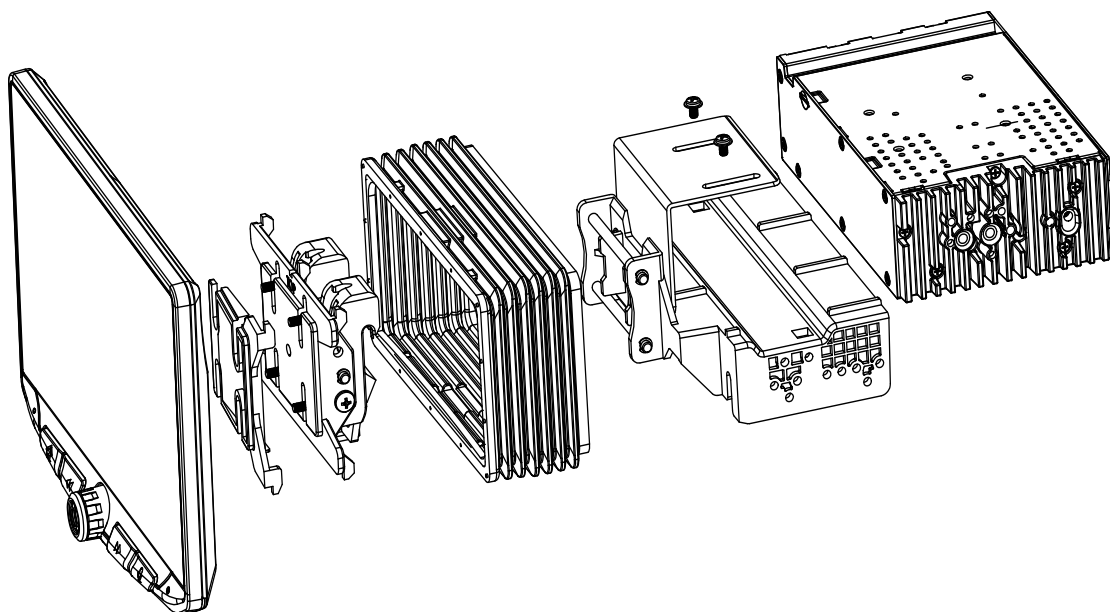
STEREO REMOVAL



Once the original radio has been removed, you can proceed to the assembly of the Heigh10.

Take the HEIGH10® components and begin to assemble the core components in accordance with the “*Installation Manual*” that comes with unit.

HEIGH10 ASSEMBLY



FITTING GUIDE

FASCIA PLATE SET-UP

1. With the HEIGH10® unit configured correctly, attach the fascia brackets to the relevant sides of the radio module using the screws within the kit. Place into the vehicle and roughly test fit with the fascia to measure whether the brackets need moving forwards/backwards.
2. With the brackets aligned correctly, attach the fascia to the brackets over the top of the unit using the screws that come within in the kit.
3. Once all of the steps in '**Stereo Installation**' are complete, place the assembly into the dashboard and screw down using the pre-existing screws. Then reassemble the main fascia panel.

INTERFACE SET-UP

1. Take the 14-way connector on the vehicle interface harness and plug this into the relevant connection on the side of the interface.
2. Take the 12-way connector of the stereo patch lead and plug this into the relevant connection on the side of the interface. Then take the 3.5mm jack and attach this to the HEIGH10® unit.
3. Attach the 4-way camera extension harness to the interface.
5. Attach the antenna adapter to the vehicles pre-existing connection and the back of new HEIGH10® unit.
4. Attach the USB retention lead in between the vehicle pre-existing USB connector and the HEIGH10® unit.
5. Connect the male yellow RCA to the 'reverse camera input' on the back of the new stereo.
6. Connect the aftermarket reverse camera (if required) to the female yellow RCA on the camera extension harness.

Note: ensure the 'Camera Connected' option in the 'Preferences' menu is set to 'Yes' for the camera to function correctly.

7. Attach the additional wiring on the harness to the back of the stereo:
Pink - Speed Pulse **Green** - Park Brake **Purple** - Reverse
8. When all the above wires (and any additional accessories) have been connected, finally make the power connections between the stereo and the vehicles pre-existing connector.

For a full connection breakdown of the HEIGH10® unit, see the "**Installation Manual**" that comes with the unit.

PRODUCT INFORMATION

CTSH0002.2

The CTSH0002.2 is an Analogue steering wheel control interface that allows the installation of an aftermarket single or double stereo into select Honda vehicles. This interface and harness combination allows the retention of select steering wheel controls and climate control features (if applicable).

Please note: this product is compatible with hatchback vehicles without navigation only.

WIRING KEY

IN WIRING HARNESS

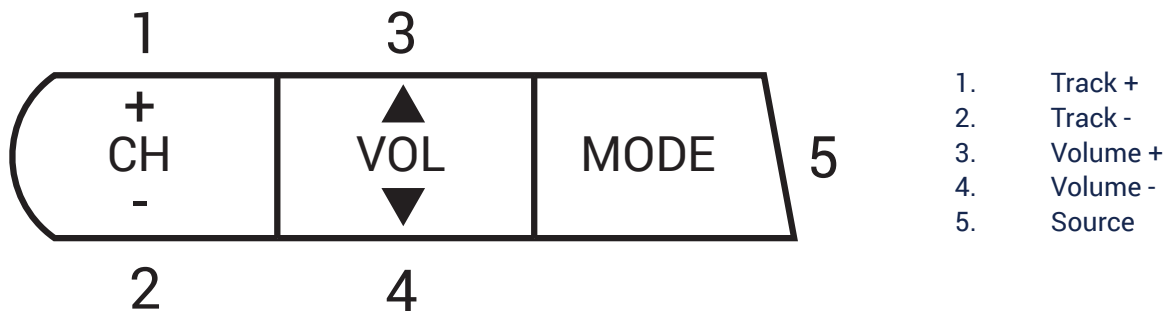
Purple	Right Rear Speaker +	Yellow	Permanent 12V
Purple/Black	Right Rear Speaker -	Black	Ground
Green	Left Rear Speaker +	Red	Ignition 12V
Green/Black	Left Rear Speaker -		
Grey	Right Front Speaker +		
Grey/Black	Right Front Speaker -		
White	Left Front Speaker +		
White/Black	Left Front Speaker -		

ADDITIONAL CONNECTIONS

Pink	Speed Pulse
Blue	Amp Remote

STEERING WHEEL CONTROL FUNCTIONALITY

The following diagram, though based on careful research, is an example only. Individual steering wheel control configurations may differ.



Setting Time/Date

1. Press and hold Mode (5) to enter the clock setting menu.
2. Press Volume +/- (3 & 4) to toggle between hour, minute, month and year.
3. To change the value, press Track +/- (1 & 2).
4. Once the time and date has been set, press and hold Mode (5) to exit the clock setting menu.

PRIOR TO INSTALLATION

Read the manual prior to installation. Technical knowledge is necessary for installation. The place of installation must be free of moisture and away from heat sources. Please ensure that the correct tools are using during the installation to avoid damage to the vehicle or product. Connects2 can not be held responsible for the installation of this product.

INSTALLATION GUIDE

See wiring diagram on Pg.4 for more information

Before installing the interface, the factory stereo must be removed and disconnected. To do this, please consult the vehicle owner's manual/handbook or contact a fitting professional.

A stereo connection (patch) lead is also required for the installation of this interface (supplied separately). Please ensure that you have the correct lead before proceeding. For universal patch leads, prepare the wiring loops in accordance with the instruction manual supplied with the product before installation.

1. Connect the 12 Pin connector from the stereo connection (patch) lead to the interface box
2. Connect the opposite end of the stereo connection (patch) lead to the steering wheel control input on the back of the aftermarket stereo

NOTE: This may be a 3.5mm jack connector or a wired input depending on the brand of aftermarket stereo being fitted. Please consult the aftermarket stereo installation manual for further information on where to make the connection

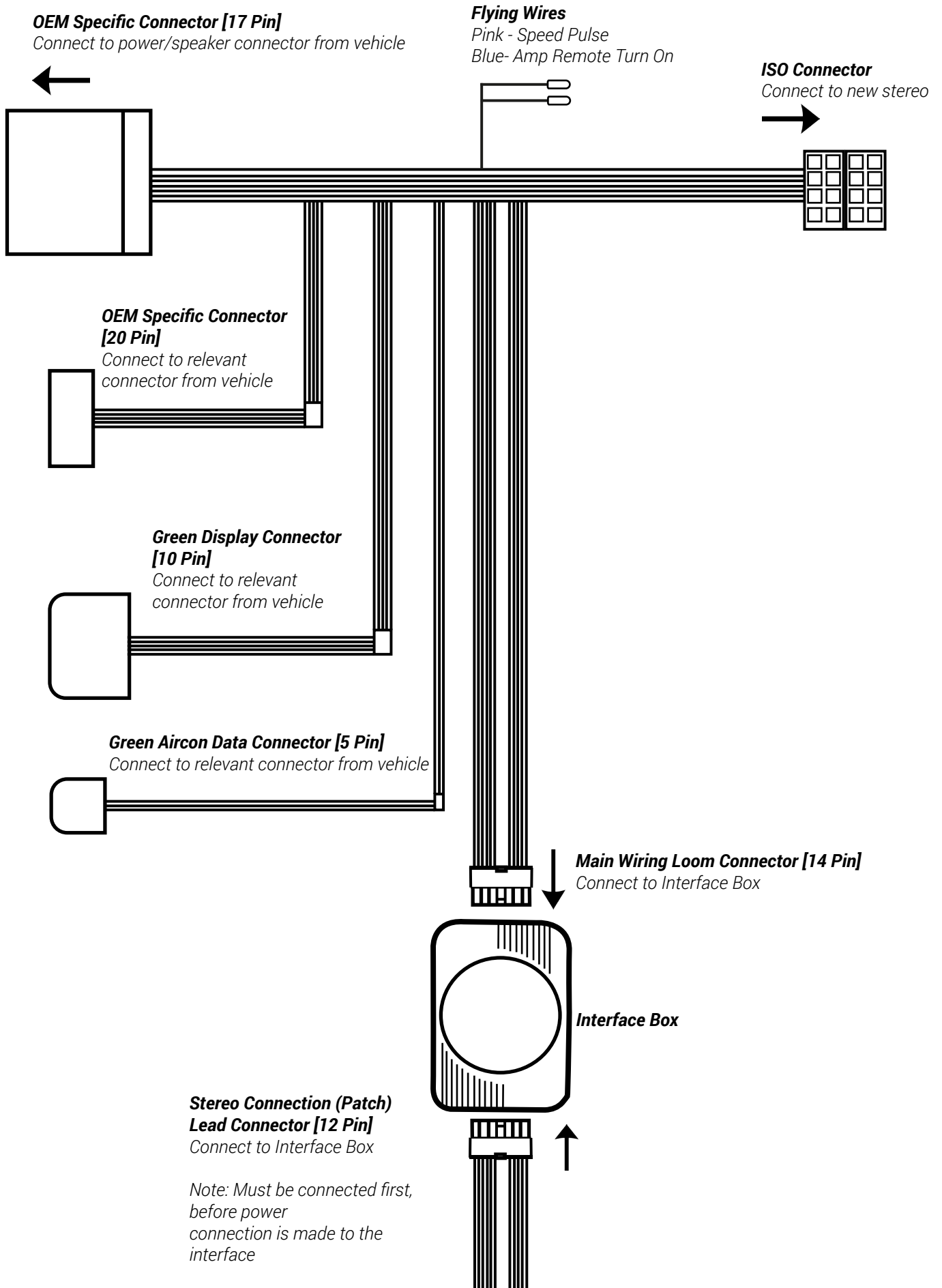
IMPORTANT: THIS STEP MUST BE COMPLETED BEFORE CONNECTING POWER TO THE INTERFACE. FAILURE TO DO SO MAY RESULT IN A LACK OF FUNCTIONALITY AND THE NEED TO RE-INSTALL THE PRODUCT

3. Connect the 14 Pin connector from the supplied wiring loom to the interface box
4. Connect the male power/speaker ISO connector to the female power/speaker ISO connector from the aftermarket stereo.

NOTE: For aftermarket stereos which do not have an ISO connector, please see "Wiring Key" on Pg.2 for information on which wires to connect. Some interfaces may also have additional 'flying' wires which can be connected to the vehicle to support various features ie. parking brake trigger, reverse gear and speed pulse. Details of these can be found under 'Additional Connections'.

5. Connect the vehicle specific connector/s on the supplied harness to the corresponding connection from the vehicle.
6. Test stereo and steering wheel control functionality for correct operation before reassembling the vehicle dashboard. If steering wheel control functions are unresponsive, please uninstall the interface and wiring and reinstall carefully in accordance with the above steps.

WIRING DIAGRAM



TECHNICAL ASSISTANCE

For further help or assistance, please contact and fill out a support ticket with full details of your issue via : uktechnical@aampglobal.com

For general enquires, contact us at:

Phone: **01384 958 500**

E-Mail: stinger.eu@aampglobal.com

Mon - Fri 9am - 5.30pm GMT

If you would like to download a digital copy of this manual, or any other product, then please visit the www.Stinger-Electronics-EU.com website.

This manual is considered correct at the time of printing but is subject to change. For the latest manuals & updates, refer to our website.

Copyright 2023 by Stinger.

AGREEMENT: End user agrees to use this product in compliance with the instructions and terms of use and with all laws. STINGER provides instructions and safety warnings with respect to this product and disclaims all liability for any use not in conjunction with those instructions or other misuse of its product. If you do not agree, please discontinue use and contact STINGER. This product is intended for off-road use and passenger use only.