

Stinger[®] HEIGH10

PART NUMBER: UN1810E-LR1

INSTALLATION GUIDE

LAND ROVER DEFENDER 2007 - 2016

10-INCH INFOTAINMENT TOUCH SCREEN SOLUTION
WITH INTEGRATED VEHICLE DATA



ABOUT THIS PRODUCT

Upgrade your Land Rover Defender's radio with the HEIGH10® 10-inch infotainment system. Retain all OEM features, vehicle settings, and more. All in one easy to install, plug-and-play package.

The HEIGH10® is designed to enhance screen size and infotainment features for drivers which include Apple CarPlay, Android Auto, DAB+, and Bluetooth streaming. Paired with the vehicle retention interface, key vehicle settings will be retained and controlled through the HEIGH10® display by your steering wheel controls.

The components of this kit are compatible for the Landrover Defender 2007 - 2016

Please note: Not compatible for amplified systems.



Scan the QR Code to access the Land Rover Defender Kit's comprehensive product features and description.

CONTENTS

- HEIGH10® unit with fitting accessories and wiring
- Black double DIN fascia plate (with accessories)
- Vehicle plug-and-play harness
- Vehicle specific antenna adapter (AM/FM)
- Stinger stereo patch lead
- Instruction manual



FITTING GUIDE

STEREO REMOVAL



Turn off the ignition and remove the key from the ignition switch to prevent any electrical shock or damage.

Use the radio removal keys to remove the radio. Insert the tools into the slots on either side of the radio until you hear a click. Gently pull the tools outwards to release the radio from its housing.

Once the radio is released, disconnect the wiring harness and antenna. The wiring harness will have a clip you need to release before unplugging it. Gently pull the antenna connector straight out of the back of the radio.

Remove the radio from the dashboard. You can now proceed to remove the old fascia panel from the vehicle.

Unscrew the two OEM screws on either side of the fascia panel and unclip the fascia.

Once removed, disconnect all harnesses and proceed to remove the OEM buttons and climate display panel. These will be re-used in the aftermarket fascia.

OEM DASHBOARD CUT

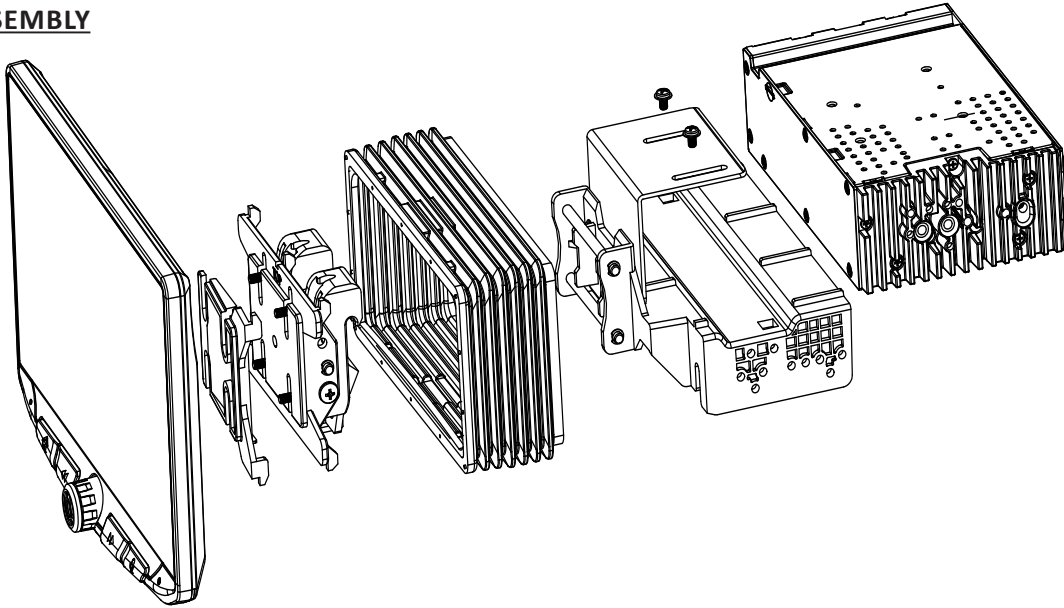
Cut the highlighted panels to ensure a perfect fit for the aftermarket stereo.



FITTING GUIDE

Take the HEIGH10® components and assemble the core components per the “Installation Manual” that comes with the unit.

HEIGH10 ASSEMBLY



FITTING GUIDE

FASCIA PLATE SET-UP

Note: The Land Rover Defender dashboard will require some cutting to install the fascia and head unit correctly. Cut the highlighted panels to ensure a perfect fit.

1. With the HEIGH10® unit configured correctly, attach the fascia brackets to the relevant sides of the radio module using the screws within the kit. See the diagram on the following page for the fascia plate setup.
2. Reuse the OEM buttons and place them into the aftermarket fascia plate. Attach the climate display panel to the aftermarket fascia panel. Place into the vehicle and roughly test fit with the fascia to measure whether the brackets need moving forwards/backwards.
3. With the brackets aligned correctly, attach the fascia to the brackets over the top of the unit using the screws that come within the kit.
4. Once all of the steps in ‘Stereo Installation’ are complete, place the assembly into the dashboard and screw down using the pre-existing screws. Then, reassemble the main fascia panel.

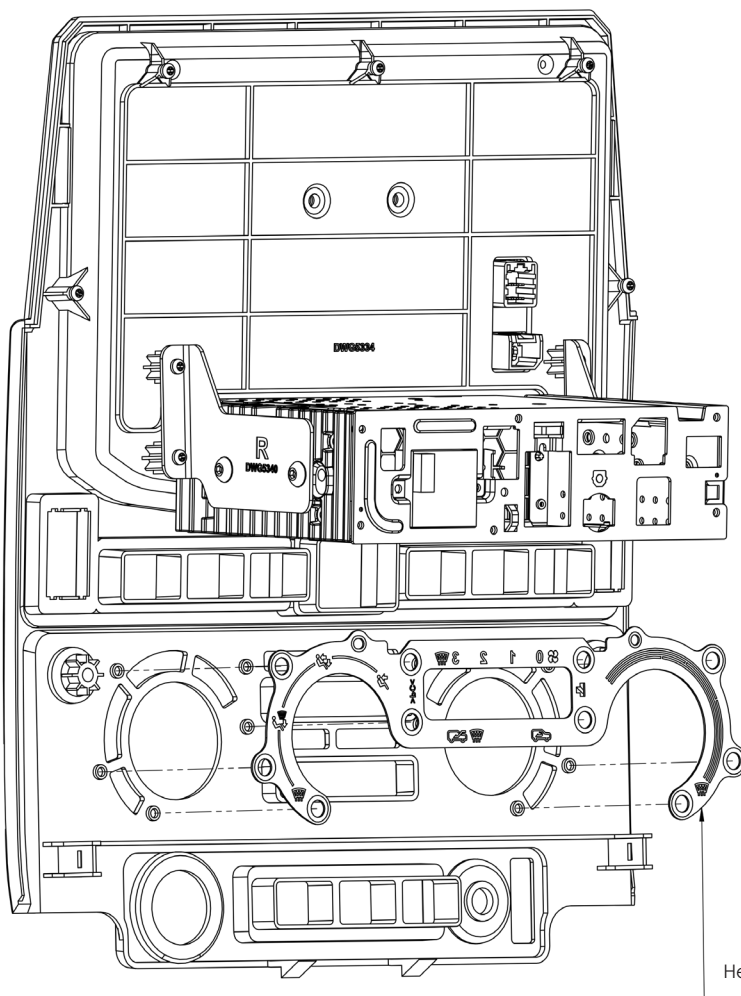
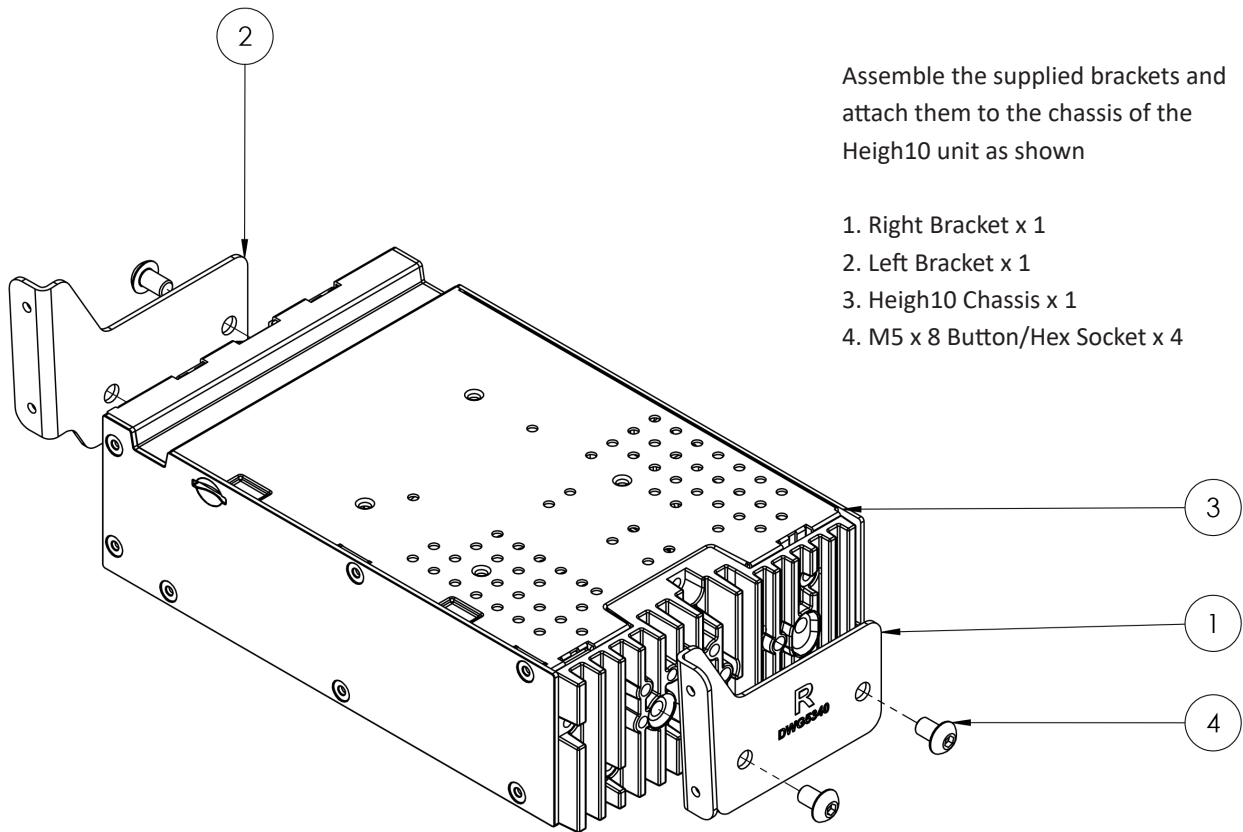
INTERFACE SET-UP

For a complete Connection Diagram [Click Here](#)

1. Take the 16-way connector from the aftermarket ISO harness and plug this into the relevant connection on the HEIGH10 unit.
2. Attach the 4-way camera extension harness to the interface.
3. Attach the antenna adapter to the vehicle’s pre-existing connection and the back of the new HEIGH10® unit.
4. Attach the USB retention lead between the vehicle’s pre-existing USB connector and the HEIGH10® unit.
5. Connect the male yellow RCA to the ‘reverse camera input’ on the back of the new stereo.
6. Connect the aftermarket reverse camera (if required) to the female yellow RCA on the camera extension harness. Note: ensure the ‘Camera Connected’ option in the ‘Preferences’ menu is set to ‘Yes’ for the camera to function correctly.
7. Attach the additional wiring on the harness to the back of the stereo:
Pink - Speed Pulse Green - Park Brake Purple - Reverse (If applicable)
8. When all the above wires (and any additional accessories) have been connected, connect the power between the stereo and the vehicle’s pre-existing connector. If the vehicle connection is ISO and not the Grey land Rover connector use LEAD1822.

For a full connection breakdown of the HEIGH10® unit, see the “Installation Manual” that comes with the unit.

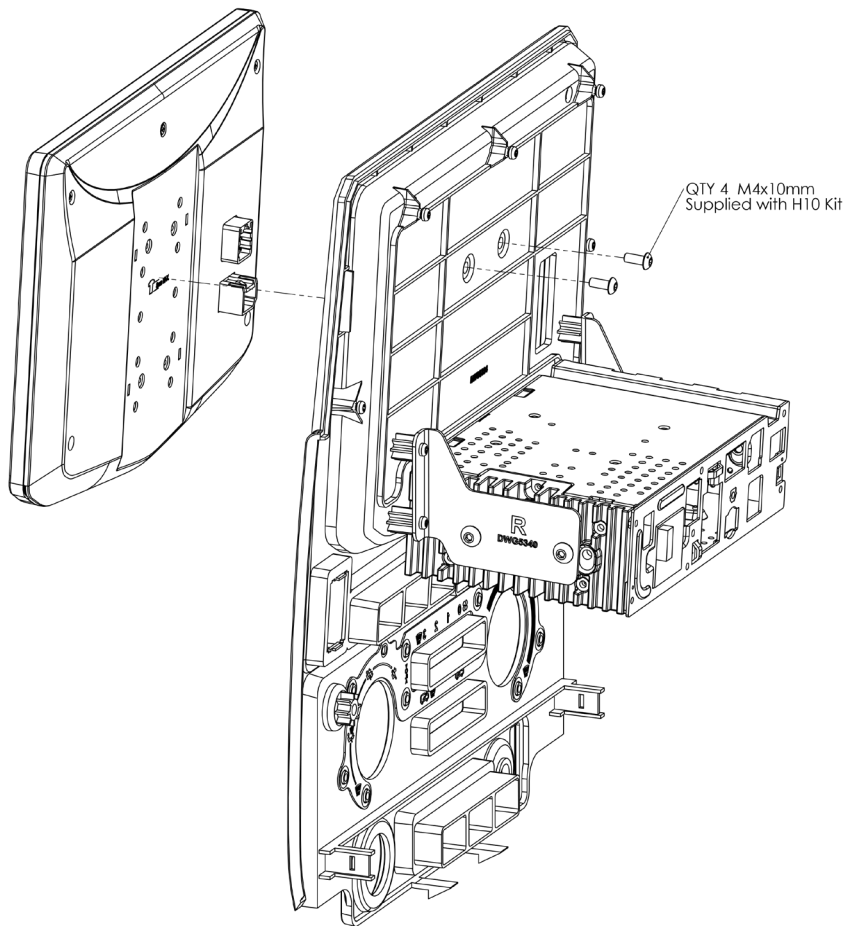
FITTING GUIDE



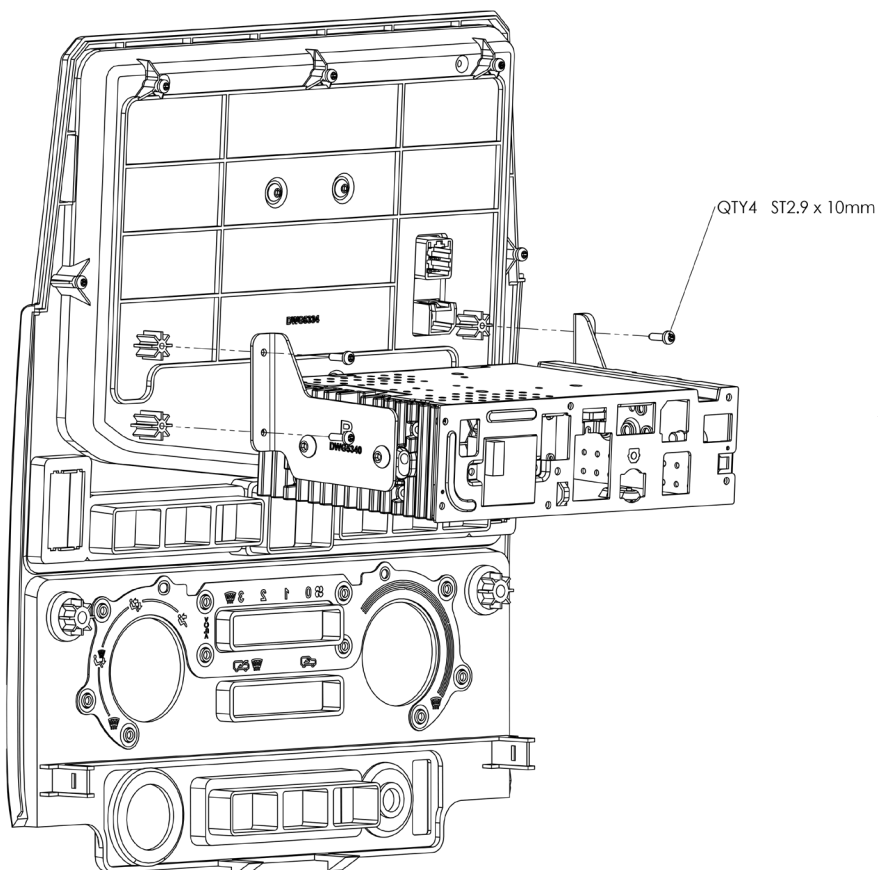
Carefully detach the heater display panel from the OEM panel, ensuring no damage occurs. Affix it to the aftermarket panel using glue (glue not included), maintaining the same attachment method as it was originally attached to the OEM panel.

Heater Display Panel

FITTING GUIDE

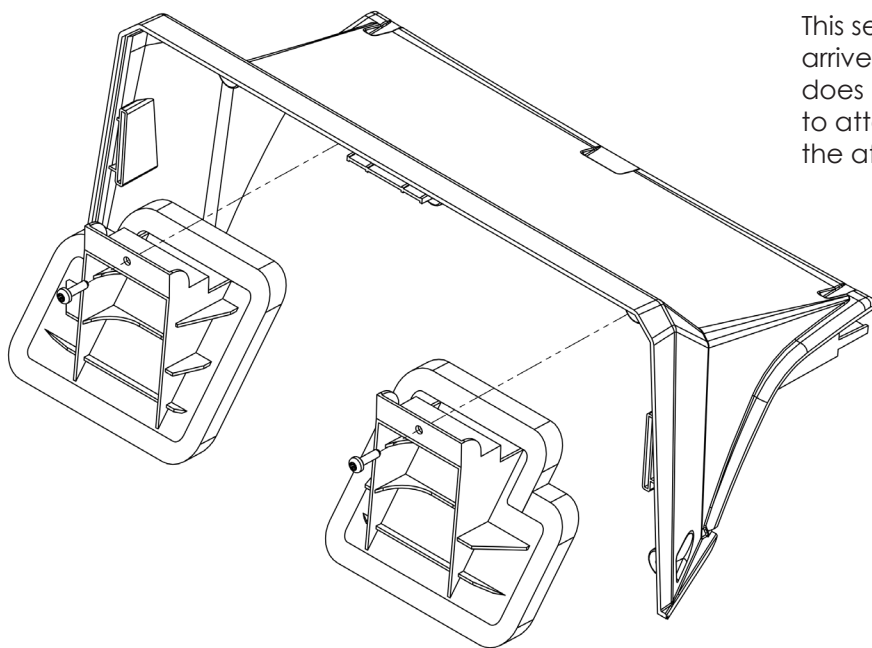


Securely affix the Heigh10 screen to the aftermarket panel using the provided M4x10mm screws.

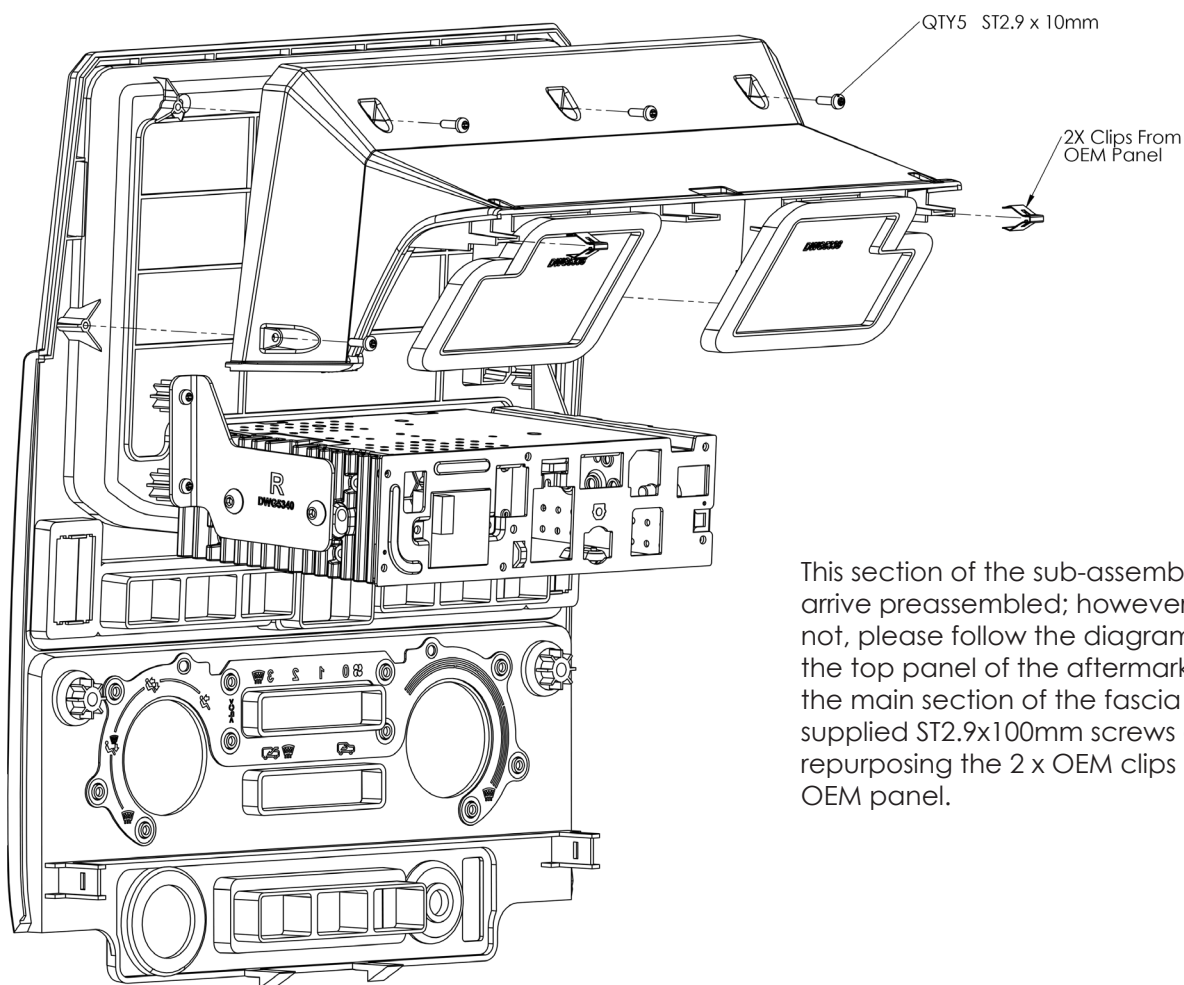


Securely affix the assembled Heigh10 chassis to the aftermarket panel using the provided ST2.9x10mm screws.

FITTING GUIDE



This section of the sub-assembly should arrive preassembled; however, if it does not, please follow the diagram to attach the vents to the top panel of the aftermarket fascia.



This section of the sub-assembly should arrive preassembled; however, if it does not, please follow the diagram to attach the top panel of the aftermarket fascia to the main section of the fascia using the supplied ST2.9x100mm screws and repurposing the 2 x OEM clips from the OEM panel.



Installation Video

Scan the QR Code to watch the full installation video

TECHNICAL ASSISTANCE

For further help or assistance, please contact and fill out a support ticket with full details of your issue via :
uktechnical@stingersolutions.com

For general enquires, contact us at:

Phone: **01384 958 500**

E-Mail: UKsales@stingersolutions.com

Mon - Fri 9am - 5.30pm GMT

If you would like to download a digital copy of this manual, or any other product, then please visit the www.Stinger-Electronics-EU.com website.

This manual is considered correct at the time of printing but is subject to change. For the latest manuals & updates, refer to our website.

Copyright 2024 by Stinger.

AGREEMENT: End user agrees to use this product in compliance with the instructions and terms of use and with all laws. STINGER provides instructions and safety warnings with respect to this product and disclaims all liability for any use not in conjunction with those instructions or other misuse of its product. If you do not agree, please discontinue use and contact STINGER. This product is intended for off-road use and passenger use only.